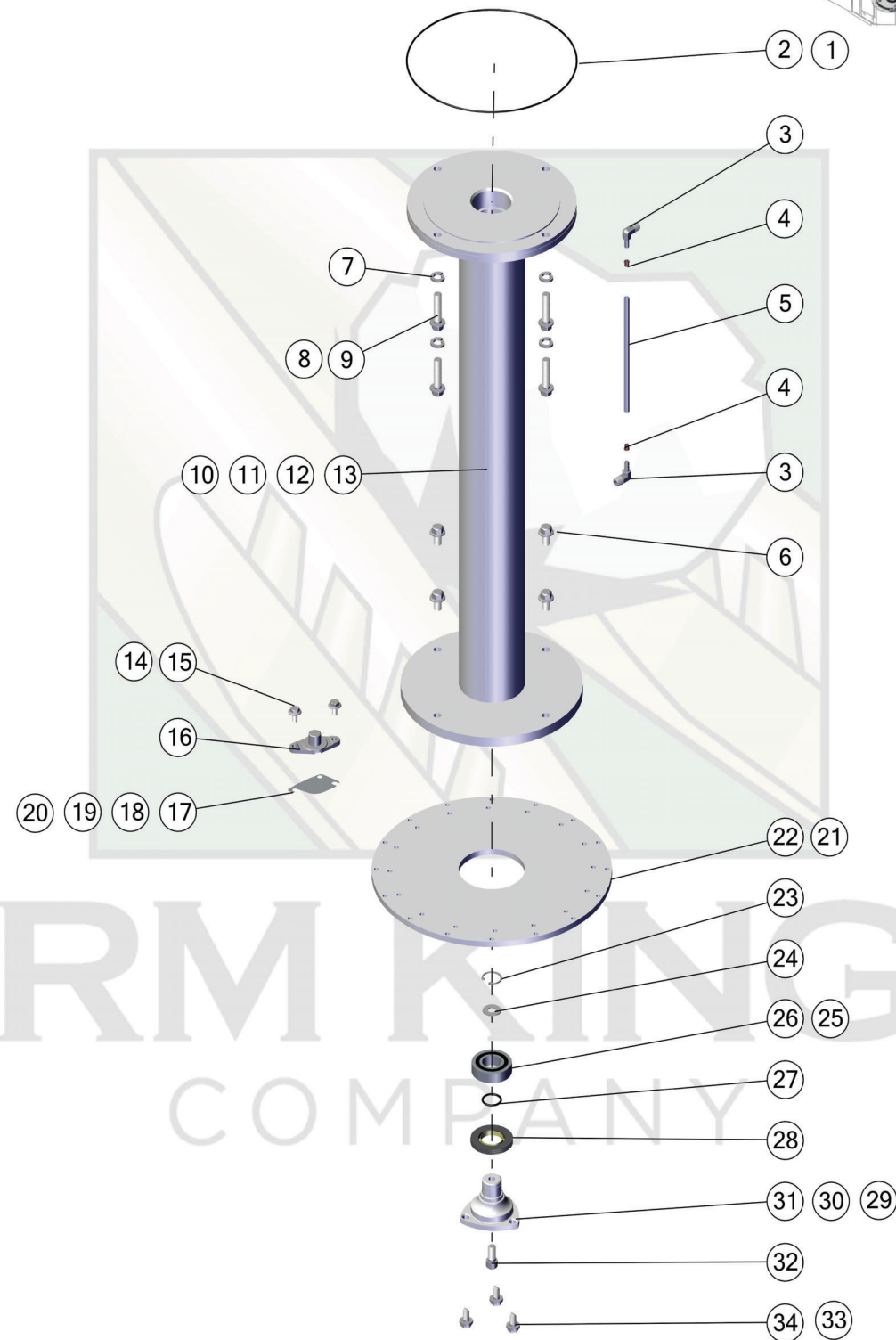
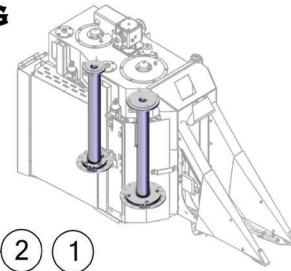


PICKER BAR DRUM, STUD AND BEARING

MODELS 9900 – CP690

Version 1.7



EMAIL: INFO@RMKING.COM
TEL: 559.266.0258

PICKER BAR DRUM, STUD AND BEARING

MODELS 9900 – CP690

Version 1.7

ID	Part Number	Description	Model	MFG
1	R279626	O-ring Pro-12	9970-CP690	RMK
2	R59422	O-ring Pro-16	9970-CP690	RMK
3	N115724	Brass Elbow	9900-9965	RMK
4	N117044	Clamp	9900-9965	RMK
5	N274964	Tubing	9900-9965	RMK
6	19M7788	Bolt - M12 x 25	9970-CP690	OEM
7	12H301	Lock Washer - 1/2	9900-9965	RMK
8	19H2509	Bolt - 1/2 x 1 1/2	9900-9965	RMK
9	19M7814	Bolt - M12 x 50	9970-CP690	OEM
10	AN193102	Drum (In-Line)	9960-9965	OEM
11	AN274504	Drum 12 Bar Pro-12	9970-9996	OEM
12	AN272737	Drum 12 Bar Pro-16	9976-CP690	RMK
13	AN272736	Drum 16 Bar Pro-16	9976-CP690	RMK
14	19H3695	Bolt - 5/16 x 5/8	9900-9965	RMK
15	19M7865	Bolt - M8 x 16	9970-CP690	RMK
16	N112291	Bar Pivot	9900-CP690	RMK
17	N190953	Bar Height Shim 0.010"	9900-CP690	RMK
18	669819R1	Bar Height Shim 0.007"	9900-CP690	RMK

NOTES:

- 1. R279626 REPLACES R84609.

ID	Part Number	Description	Model	MFG
19	N190952	Bar Height Shim 0.005"	9900-CP690	RMK
20	N193694	Bar Height Shim 0.003"	9900-CP690	RMK
21	N370485	Flange Pro-12	9970-CP690	OEM
22	N370484	Flange Pro-16	9976-CP690	OEM
23	L1188N	Snap Ring	9900-9965	RMK
24	N112737	Washer	9900-9965	RMK
25	AN111537	Ball Bearing with O-ring	9900-9965	RMK
26	AN272787	Ball Bearing	9970-CP690	RMK
27	F3171R	O-ring	9970-CP690	RMK
28	AN190474	Seal	9900-CP690	RMK
29	AN111582	Drum Mount Spindle	9900-9910	RMK
30	N193645	Drum Mount Spindle	9930-9965	RMK
31	N273309	Drum Mount Spindle	9970-CP690	OEM
32	19M8168	Screw - M12 x 25	9970-CP690	OEM
33	T19179	Bolt - 3/8 x 5/8	9900-9965	RMK
34	37M7086	Bolt - M10 x 20	9970-CP690	RMK

EMAIL: INFO@RMKING.COM
TEL: 559.266.0258